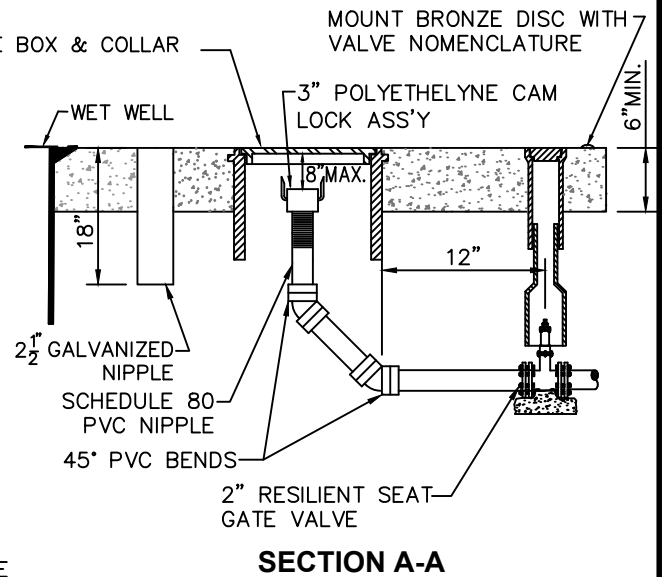


PUMP STATION PLAN VIEW

NOT TO SCALE



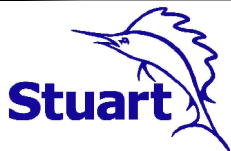
PUMPOUT CONNECTION

INFORMATION PROVIDED BY ENGINEER OF RECORD

A	RIM ELEVATION	FT NAVD
B	INFLUENT INVERT ELEVATION	FT NAVD
C	ALARM	FT NAVD
D	LAG PUMP "ON"	FT NAVD
E	LEAD PUMP "ON"	FT NAVD
F	PUMPS "OFF"	FT NAVD
G	WET WELL BOTTOM ELEVATION	FT NAVD
H	INFLUENT DIAMETER	IN
J	PUMPOUT CONNECTION	3 IN

NOTE:

ALL PIPING FOR VALVE AND PUMPOUT CONNECTION ASSEMBLY SHALL BE SCHEDULE 80 P.V.C.



STANDARD UTILITY DETAILS
City of Stuart
Utilities & Engineering Department

121 S.W. Flagler Avenue, Stuart, Florida 34994

SINGLE PHASE DUPLEX PUMP STATION

DATE: OCTOBER 2021
FILE NAME: 2021 COS Std Details.dwg

SHEET NUMBER
49