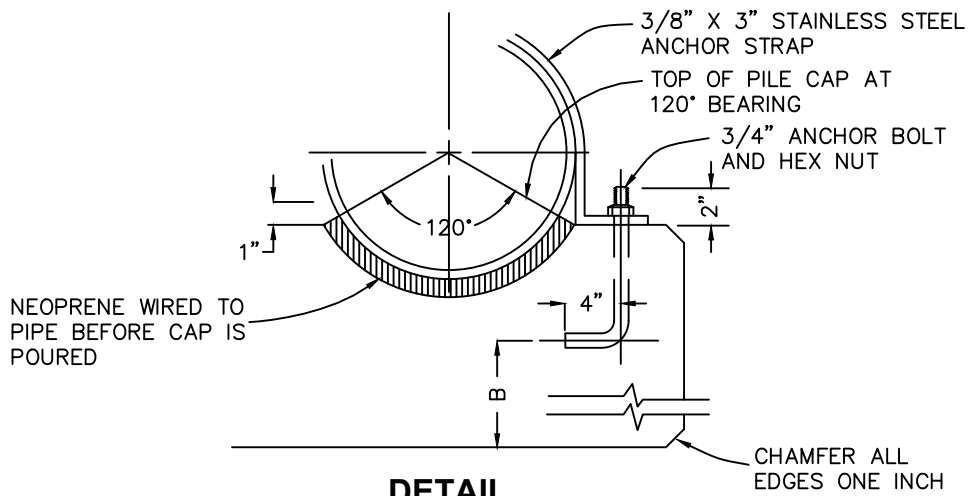


ELEVATION

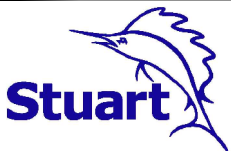


DETAIL

DUAL PIPE DETAIL

NOTE:

1. ALL REINF. STEEL SHALL BE No. 4 BARS.
2. ALL HARDWARE SHALL BE STAINLESS STEEL.
3. SEE DETAIL SHEET #69 FOR ADDITIONAL DIMENSIONS.



STANDARD UTILITY DETAILS
City of Stuart
Utilities & Engineering Department

121 S.W. Flagler Avenue, Stuart, Florida 34994

PILE CAP SUPPORT

DATE: OCTOBER 2021
 FILE NAME: 2021 COS Std Details.dwg

SHEET NUMBER
67