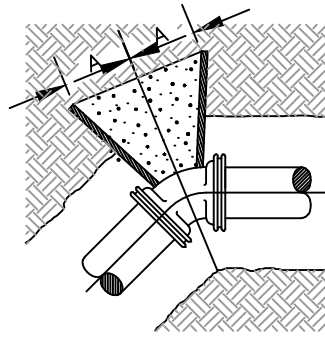
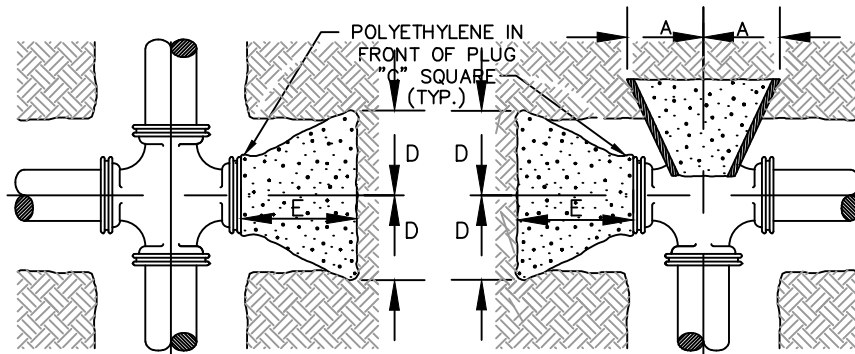


90° BEND

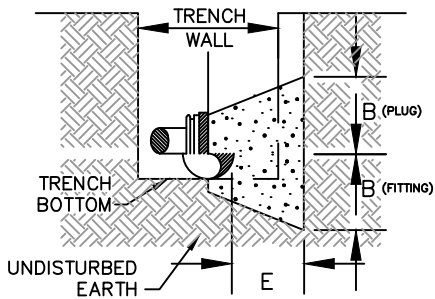


45° - 22½° - 11¼° BENDS

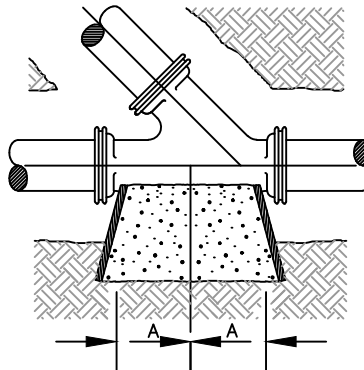


CROSS WITH PLUG

TEE WITH PLUG



TYPICAL SECTION



LATERAL

NOTE

1. POLYETHYLENE (VISQUEEN OR EQUAL) SHALL BE PLACED BETWEEN CONCRETE AND PIPE. (MILLAGE TO BE DETERMINED BY IRCDUS).

THRUST BLOCK DETAILS



STANDARD UTILITY DETAILS
 City of Stuart Public Works Department
 121 S.W. Flagler Avenue, Stuart, Florida 34994
 (772) 288-5300

**THRUST BLOCK
 DETAILS**

DATE: OCTOBER 2016
 FILE NAME: 2016 COS Std Details.dwg

SHEET NUMBER
14