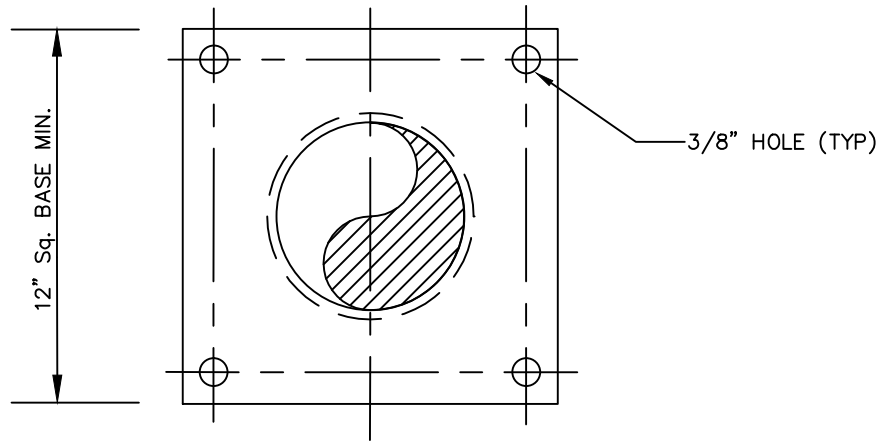


SECTION

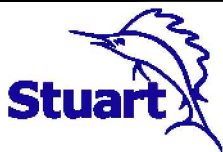


FRONT VIEW

NOTE:

1. THIS CONNECTOR SHALL BE INSTALLED IN FIELD AT ELEV. BASED ON EXIST. SEWER PIPE. ENCASE COUPLING UNDER AND AROUND WITH #57 ROCK FOR BEDDING SUPPORT.
2. ALL HARDWARE SHALL BE 316 STAINLESS STEEL (S.S.).

TYPICAL WET WELL GRAVITY CONNECTOR HUB



STANDARD UTILITY DETAILS
City of Stuart Public Works Department
 121 S.W. Flagler Avenue, Stuart, Florida 34994
 (772) 288-5300

**TYPICAL WET WELL
 GRAVITY CONNECTOR HUB**

DATE: OCTOBER 2016
 FILE NAME: 2016 COS Std Details.dwg

SHEET NUMBER
51